

60cm Stainless Steel Gas Cooktop

604.8B05.035



ACCESSORIES

Regulator
LPG Conversion Kit
LPG Test Point

FEATURES

4 burners
Italian made Defendi burners
304 grade stainless steel
Electronic under-knob ignition
Cast iron trivets
Metal control knobs

BURNER OUTPUTS (MJ)

Triple ring wok burner:
▷ 1 x 6.3 - 14.4 MJ
Semi rapid burners:
▷ 2 x 3.24 - 6.5 MJ
Auxilliary burner:
▷ 1 x 1.8 - 3.8 MJ

CLEANING

Single press steel hob
Heavy duty 304 grade stainless steel
Easy to clean black glass insert under knobs
Removable knobs

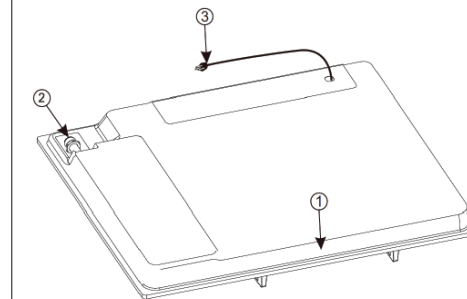
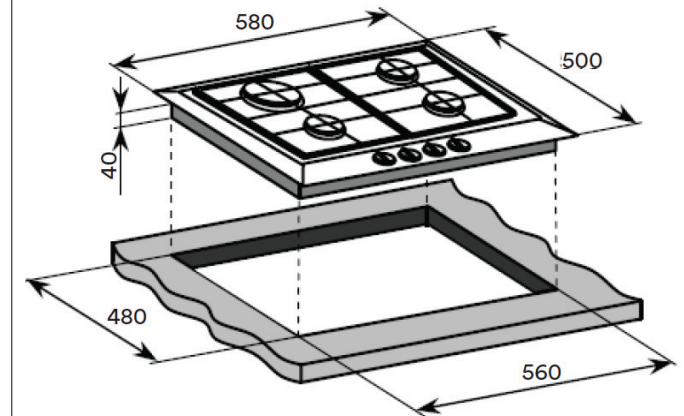
SAFETY

Flame Failure Safety Device
Side located control knobs

REQUIREMENTS

Rated Voltage: 220-240V,
50/60 Hz
Current requirements: 3A
Supplied with 10 amp plug

INSTALLATION



1 - Front of Gas Cooktop
2 - Gas connection point
3 - Electrical connection

PRODUCT DIMENSIONS

Packaged (w, d, h mm):
▷ 645 x 543 x 136
Physical (w, d, h mm):
▷ 580 x 500 x 40
Weight:
▷ 12kg

WARRANTY

24 Months