

INALT^o

604.8B05.060



Features

- 10 place settings
- Stainless steel finish
- Third cutlery drawer
- Concealed heating element
- Delay start
- LED display with push button controls
- Height adjustable upper basket
- Collapsible plate racks
- Stainless steel micro filter

Wash Programs

- 6 wash programs:
- › Normal
 - › Intensive
 - › Rapid
 - › 1 hour express
 - › Heavy
 - › Glass

Energy Efficiency

- Energy Rating (MEPS):
- › 3 stars
- Water Rating (WELS):
- › 3 stars

Product Dimensions

- Packaged (w, d, h mm)
- › 495 x 645 x 871mm
- Physical (w, d, h mm)
- › 448 x 600 x 845mm
 - › Door open: 1175mm
- Weight
- › 45.5kg

Safety

- Anti-leak device
- Anti-flood device

Cleaning

- Mark-free stainless steel

Requirements

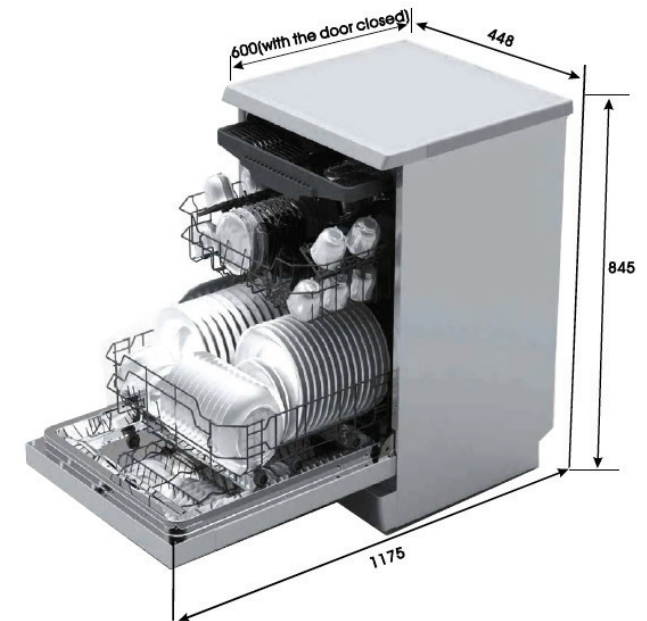
- Rated Voltage:
- › 220-240V, 50/60 Hz
- Supplied with 10 amp plug

Warranty

- 24 Months

Titus
Tekform

Installation



45cm Freestanding Dishwasher

/604.8B05.060