

INALT^o

604.8B05.115



Features

- 3 speed settings
- 2 LED lights
- 2 aluminium grease filters
- Push button controls
- Stainless steel body

Performance Features

- 750 m3/hr extraction
- Motor type:
 - › Centrifugal
- Decibel rating (dBA) max:
 - › 64-69 dBA

Cleaning

- Dishwasher safe aluminium grease filters

Product Dimensions

- Packaged (w, d, h mm)
 - › 955 x 455 x 570mm
- Physical (w, d, h mm)
 - › 900 x 500 x 560-1040mm
- Weight
 - › 23kg

Accessories

- Expandable 150mm ducting adapter
- Fasteners and wall plugs
- 2 piece stainless steel flue (upper and lower pieces)
- Wall brackets

Optional Accessories

- Carbon Filter
- Flue extension piece

Requirements

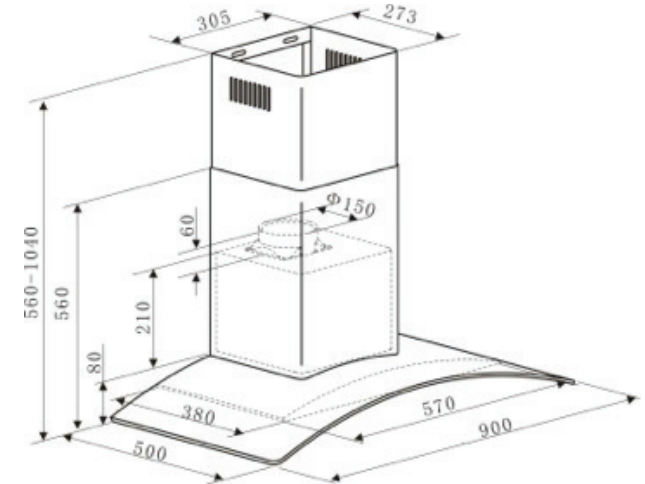
- Rated voltage:
 - › 220-240V, 50/60 Hz
- Supplied with 10 amp plug

Warranty

- 24 Months

Titus
Tekform

Installation



90cm Curved Glass Rangehood

/604.8B05.115