

Technical Data Sheet

InAlto Appliances from Titus



Titus Construct Appliance Pack 7

DETAILS & ORDERING INFORMATION

Pack Order Number
604.8B05.190



604.8B05.075

900mm Multi-function Upright Cooker

- 900mm 7 multi-function oven (twin fan) with LED
- 5 burner hob with cast iron trivets & FFD
- 110ltr capacity
- Twin fan for quick pre-heat
- Electronic under-knob ignition
- Cavity cooling system
- LED programmable timer
- Thermostatically controlled grill
- Adjustable feet



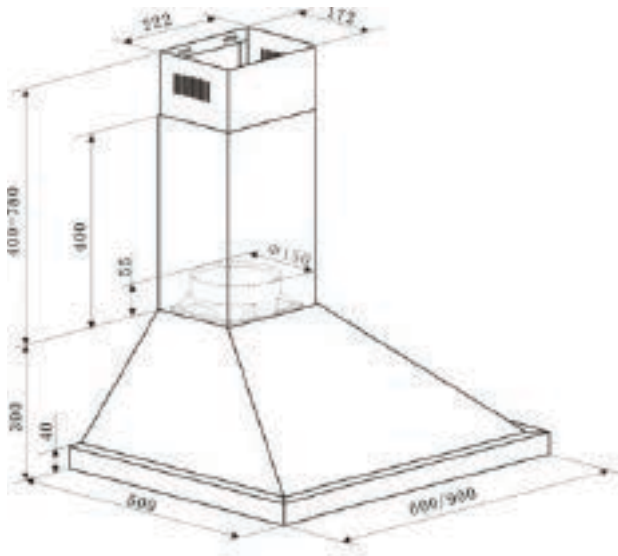
604.8B05.105

900mm Canopy Rangehood

- 750m³/hr extraction
- 2 LED lights
- 3 speed settings
- 3 aluminium grease filters

INALTO

DIMENSIONS



604.8B05.105

INSTALLATION

Installation guides are supplied with each product order. Please note: All templates, line drawings and electronic files are supplied as a guide only. Please cross check with actual appliance before commencing any installation. Titus Tekform accepts no responsibility for installation errors.

INALT^o