

Technical Data Sheet

InAlto Appliances from Titus



Titus Construct Appliance Pack 3

DETAILS & ORDERING INFORMATION

Pack Order Number
604.8B05.170



604.8B05.090

600mm Multi-Function Oven

- 600mm multi-function oven
- 9 functions
- 65ltr capacity
- Touch control programmable LED clock/timer
- Cavity cooling system
- Telescopic runners
- Triple glaze cool touch door
- Child safe oven activation process



604.8B05.035

600mm Gas Cooktop

- 600mm
- 4 burner gas cooktop with wok cast iron trivets
- Electronic under-knob ignition
- Metal control knob
- Flame failure safety device



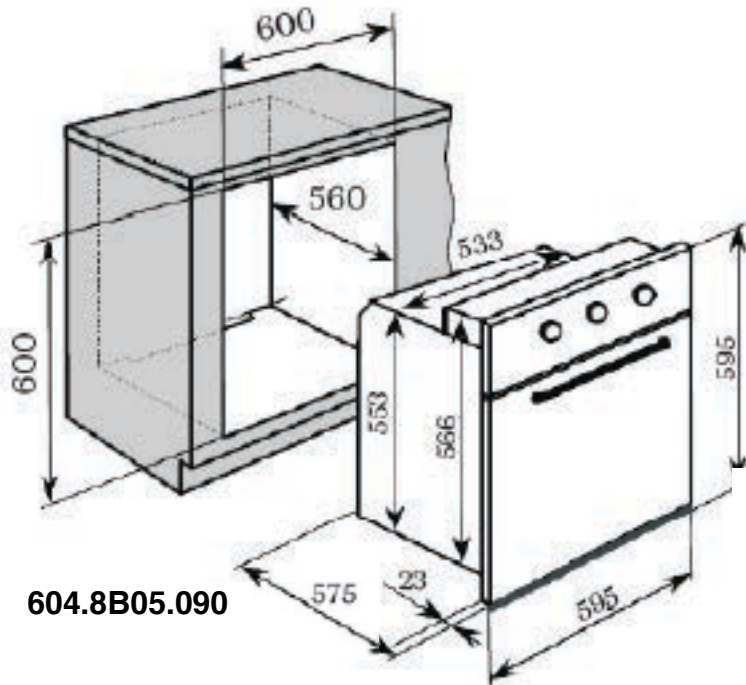
604.8B05.130

520mm Undermount Rangehood

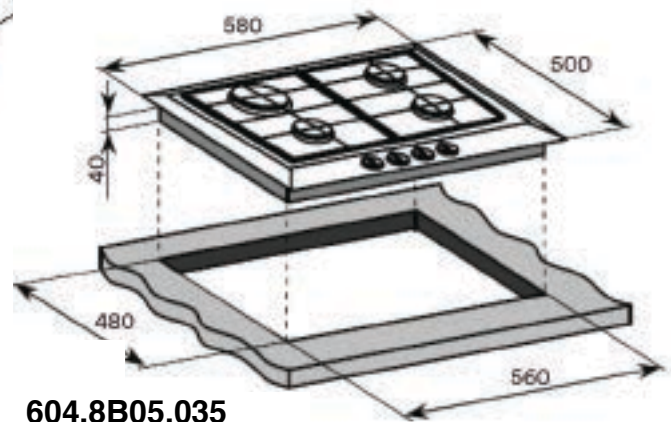
- Twin halogen
- 750m³/hr extraction
- 3 speed settings
- 1 aluminium grease filter

INALTO

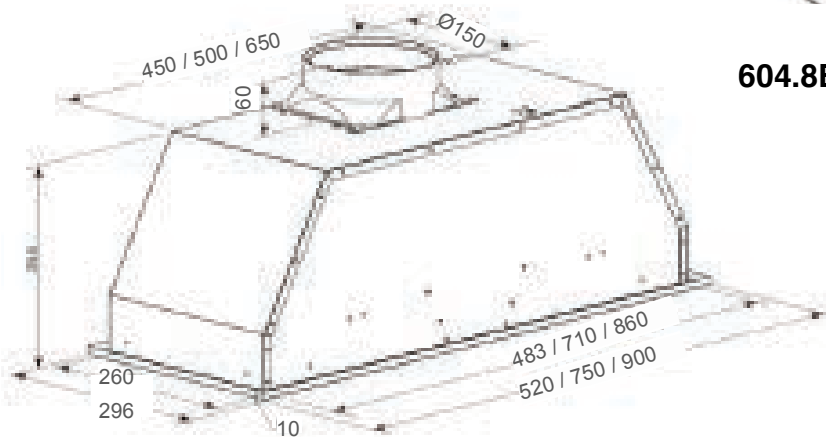
DIMENSIONS



604.8B05.090



604.8B05.035



604.8B05.130

INSTALLATION

Installation guides are supplied with each product order. Please note: All templates, line drawings and electronic files are supplied as a guide only. Please cross check with actual appliance before commencing any installation. Titus Tekform accepts no responsibility for installation errors.

INALT?