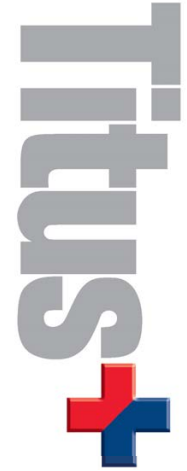


Technical Data Sheet

InAlto Appliances from Titus



Titus Construct Appliance Pack 4

DETAILS & ORDERING INFORMATION

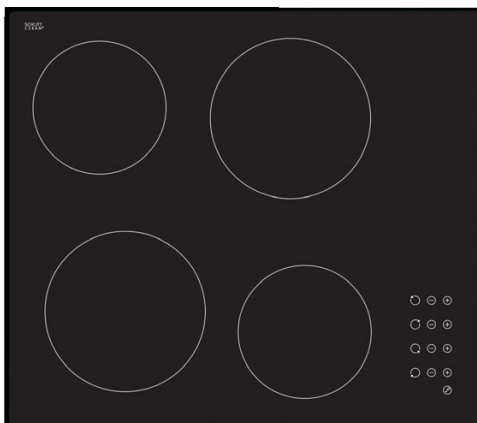
Pack Order Number
604.8B05.175



604.8B05.090

600mm Multi-Function Oven

- 600mm multi-function oven
- 9 functions
- 65ltr capacity
- Touch control programmable LED clock/timer
- Cavity cooling system
- Telescopic runners
- Triple glaze cool touch door
- Child safe oven activation process



604.8B05.020

600mm Electric Ceramic Cooktop

- 600mm electric ceramic cooktop
- 4 cooking zones with radiant heating elements
- Touch control
- Frameless glass design with beveled edges
- Residual heat indicator lights
- Child lock function



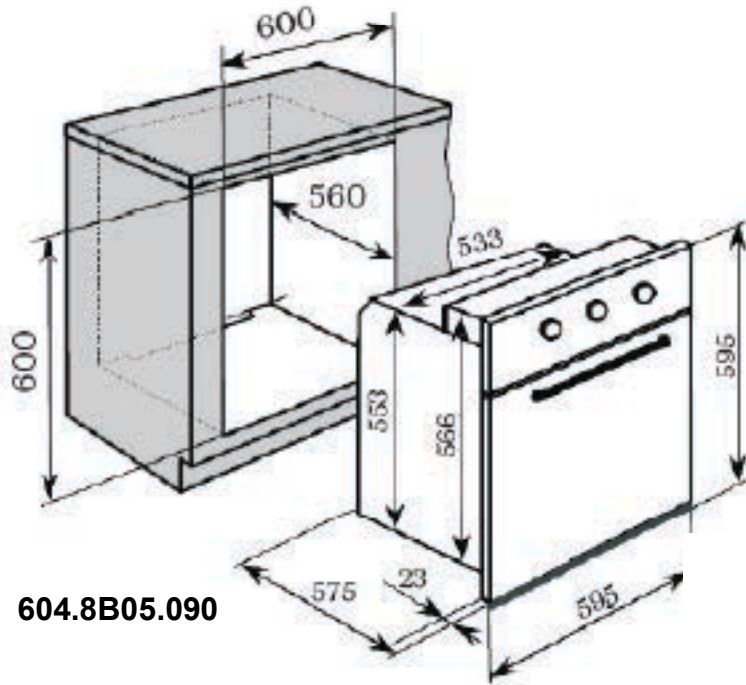
604.8B05.130

520mm Undermount Rangehood

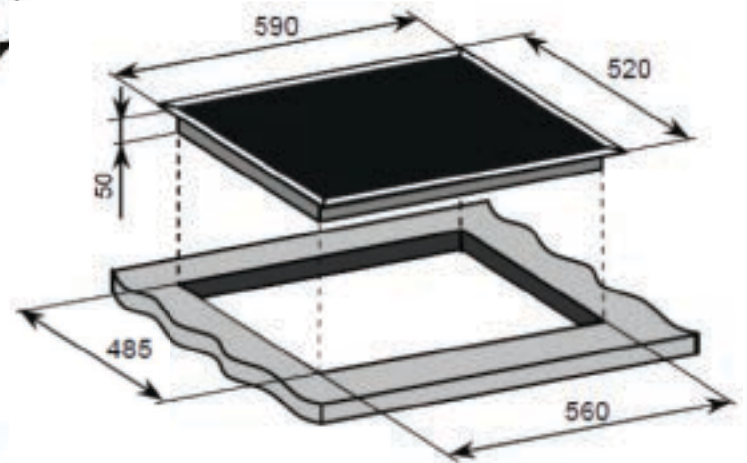
- Twin halogen
- 750m³/hr extraction
- 3 speed settings
- 1 aluminium grease filter

INALTO

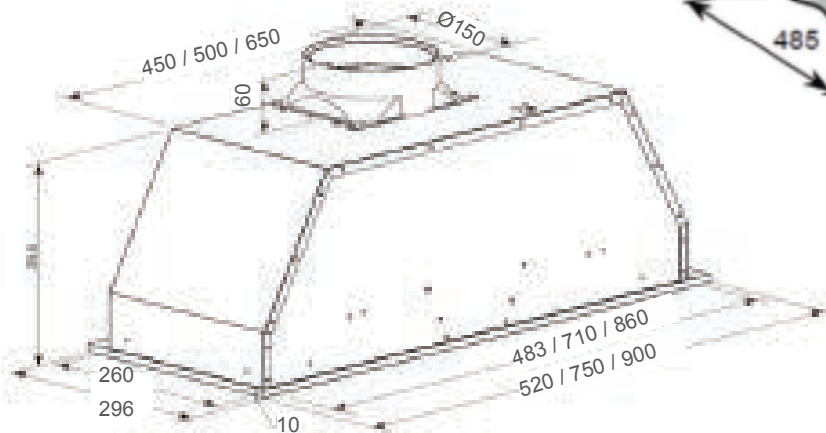
DIMENSIONS



604.8B05.090



604.8B05.020



604.8B05.130

INSTALLATION

Installation guides are supplied with each product order. Please note: All templates, line drawings and electronic files are supplied as a guide only. Please cross check with actual appliance before commencing any installation. Titus Tekform accepts no responsibility for installation errors.

INALT?