

Technical Data Sheet

InAlto Appliances from Titus



Titus Construct Appliance Pack 5

DETAILS & ORDERING INFORMATION

Pack Order Number
604.8B05.180



604.8B05.095

900mm Multi-function Oven

- 900mm multi-function oven
- 9 functions
- 82ltr capacity
- Touch control programmable LED clock/timer
- Cavity cooling
- Triple glaze cool touch door
- Child safe oven activation process



604.8B05.045

5 Burner Gas Cooktop with Wok

- 900mm gas cooktop
- 5 burner with wok
- Cast iron trivets & FFD
- Electronic under-knob ignition
- Metal control knobs



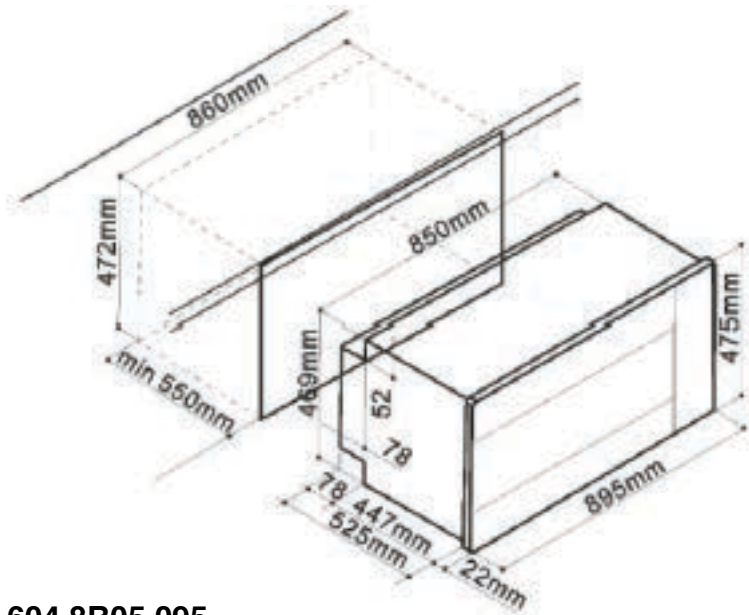
604.8B05.140

900mm Undermount Rangehood

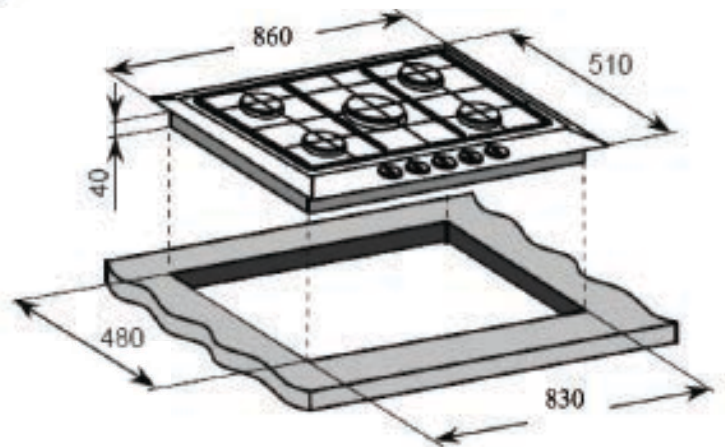
- Twin halogen
- 750m³/hr extraction
- 3 speed settings
- 1 aluminium grease filter

INALTO

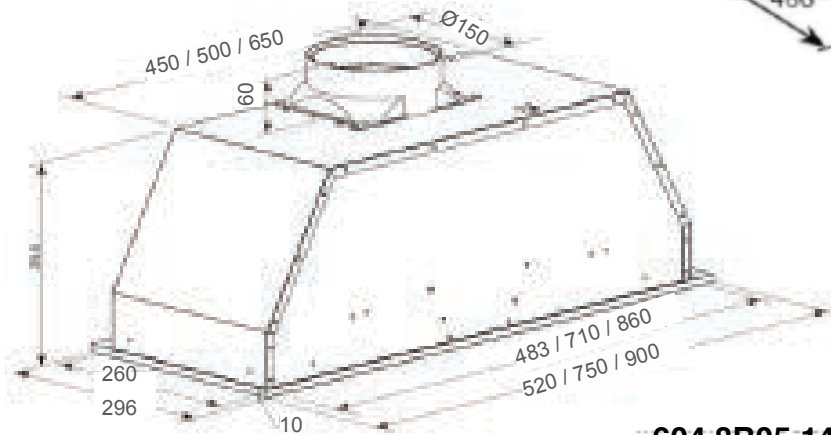
DIMENSIONS



604.8B05.095



604.8B05.045



604.8B05.140

INSTALLATION

Installation guides are supplied with each product order. Please note: All templates, line drawings and electronic files are supplied as a guide only. Please cross check with actual appliance before commencing any installation. Titus Tekform accepts no responsibility for installation errors.

INALT?