

Technical Data Sheet

InAlto Appliances from Titus



Titus Construct Appliance Pack 6

DETAILS & ORDERING INFORMATION

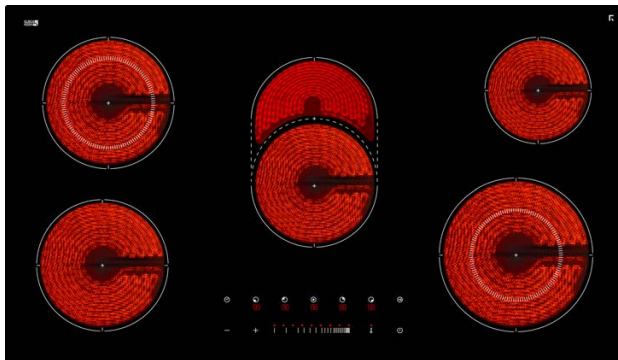
| |
|--------------------------|
| Pack Order Number |
| 604.8B05.185 |



604.8B05.095

900mm Multi-function Oven

- 900mm multi-function oven
- 9 functions
- 82ltr capacity
- Touch control programmable LED clock/timer
- Cavity cooling
- Triple glaze cool touch door
- Child safe oven activation process



604.8B05.015

900mm Electric Ceramic Cooktop

- 900mm electric ceramic cooktop
- 5 cooking zones including 1 extended zone
- Touch control
- Frameless glass design with beveled edges
- Child lock function



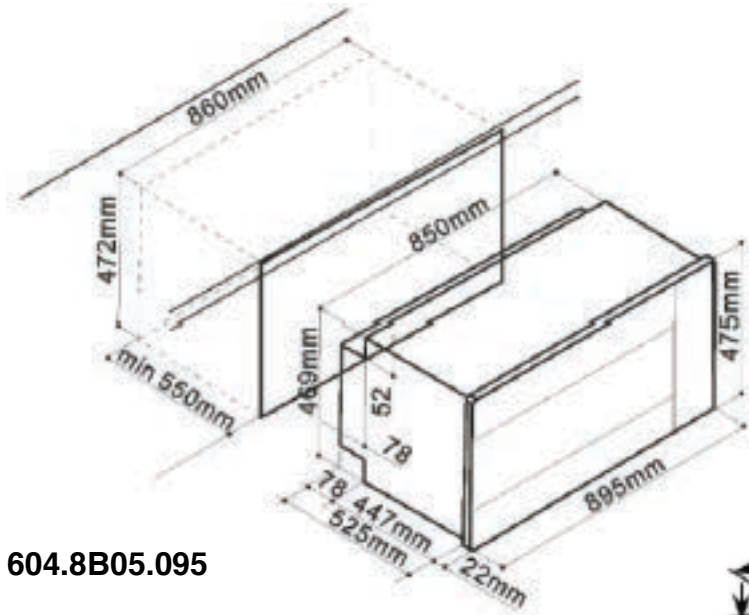
604.8B05.140

900mm Undermount Rangehood

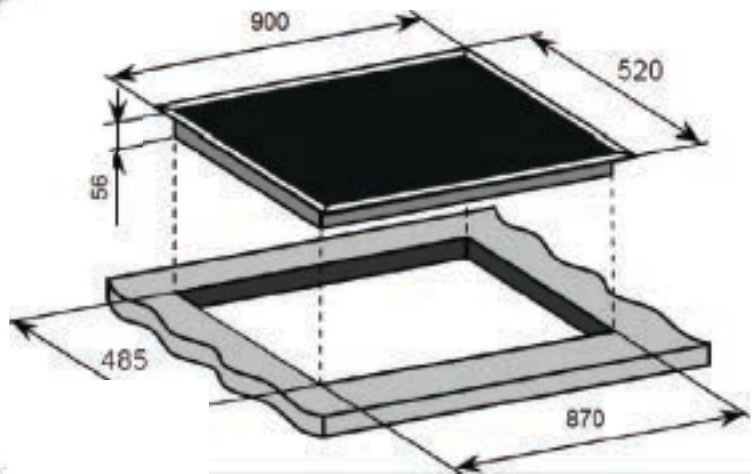
- Twin halogen
- 750m³/hr extraction
- 3 speed settings
- 1 aluminium grease filter

INALTO

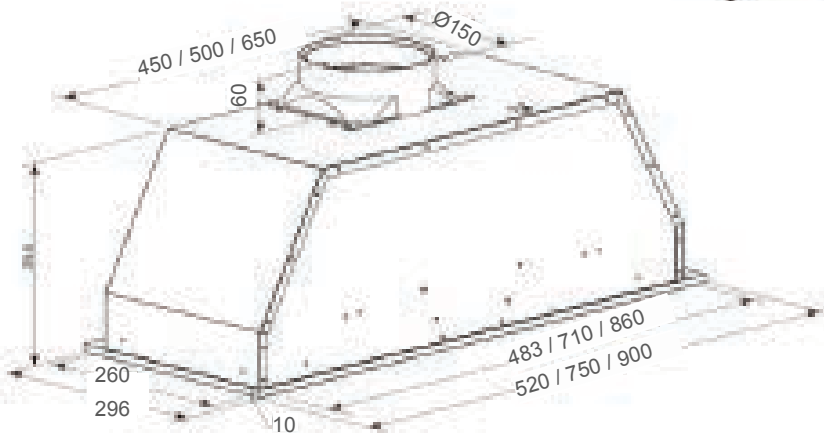
DIMENSIONS



604.8B05.095



604.8B05.015



604.8B05.140

INSTALLATION

Installation guides are supplied with each product order. Please note: All templates, line drawings and electronic files are supplied as a guide only. Please cross check with actual appliance before commencing any installation. Titus Tekform accepts no responsibility for installation errors.

INALT?