

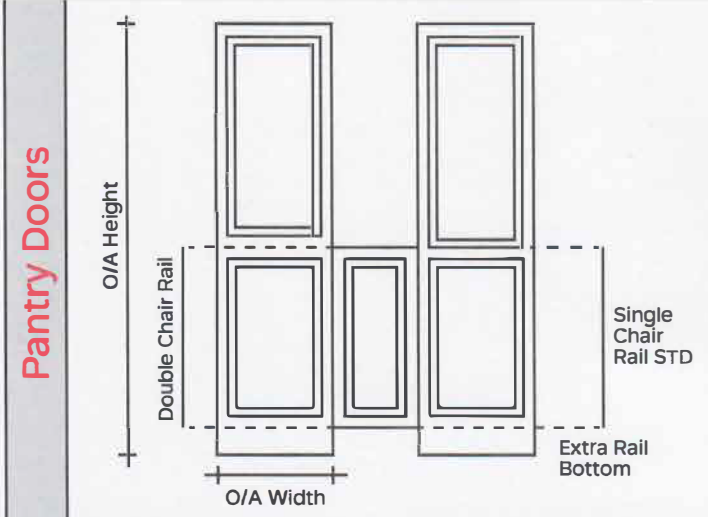
Office Use Only

Customer: \_\_\_\_\_  
 Address: \_\_\_\_\_  
 \_\_\_\_\_  
 Contact: \_\_\_\_\_  
 Phone: \_\_\_\_\_  
 Fax: \_\_\_\_\_

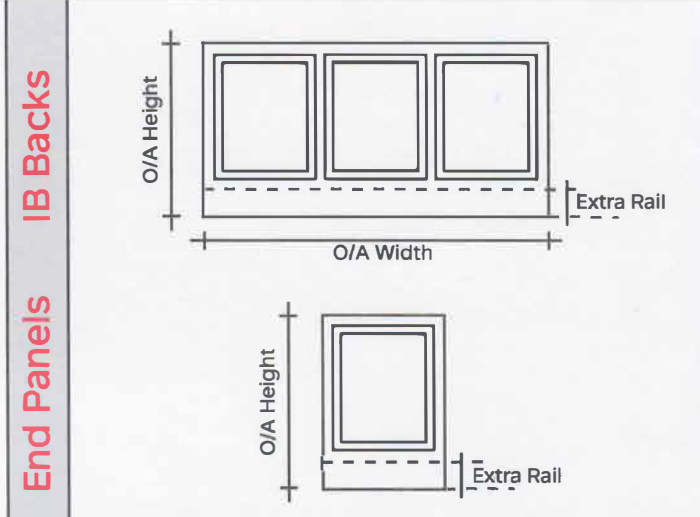
Page No.: \_\_\_\_ of \_\_\_\_  
 Customer Order No.: \_\_\_\_\_  
 Date Ordered: \_\_\_\_\_  
 Date Required: \_\_\_\_\_

**Door Type:** Arched:  Square:  **Door Colour:** Texture:  Matt:  Gloss:  Satin:

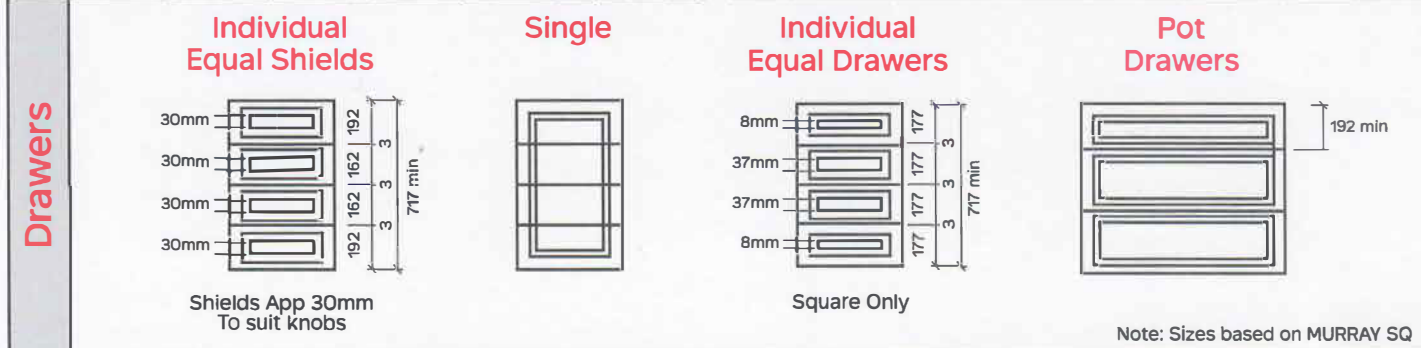
**Edge Detail:** Edge mould as per brochure unless otherwise stated  
 6mm Pencil Round  Ogee  Stepped Pencil Round  2mm Pencil Round



Qty	O/A Height	O/A Width	Chair Rail Height	Chair Rail Type	Extra Rail Bottom	'X' Square Edge			
						T	B	L	R



Qty	O/A Height	O/A Width	No Shields	Extra Rail Bottom	Extra Rail Top	'X' Square Edge			
						T	B	L	R



Note: Sizes based on MURRAY SQ

Qty	Drawer Type	Height	Width	'X' Square Edge				Drawer Size					
				T	B	L	R	1	2	3	4		

Legend O/A = Overall