



**JANPER**  
Quality Cabinetry Products

**Duraform®**

Office Use Only

Customer: \_\_\_\_\_

Address: \_\_\_\_\_

Contact: \_\_\_\_\_

Phone: \_\_\_\_\_

Fax: \_\_\_\_\_

Page No.: \_\_\_\_ of \_\_\_\_

Customer Order No.: \_\_\_\_\_

Date Ordered: \_\_\_\_\_

Date Required: \_\_\_\_\_

Alterations and cancellations must be made within 4 hours of the order being placed. Any alterations and cancellations after this time could incur a charge. All alterations must be in writing quoting the order number.

**Door Type:** **Arched:**  **Square:**  **Door Colour:** **Supa Matt:**  **Premier Matt:**  **Breeze:**   
 Arch Type: \_\_\_\_\_ **Satin:**  **Woodgrain:**  **Gloss:**

**Edge Detail:**  
**EDGE MOULD AS PER BROCHURE UNLESS OTHERWISE STATED** 6mm Pencil Round  Ogee  Stepped Pencil Round  2mm Pencil Round

| Line No. | Qty. | Height (mm)   | Width (mm) | 'X' For Square Edge |   |   |   | Description (e.g Door, Panel, Drawers) | Customer Use |
|----------|------|---|------------|---------------------|---|---|---|--|--------------|
|          |      |   |            | T                   | B | L | R |  |              |
| 01       |      |   |            |                     |   |   |   |  |              |
| 02       |      |   |            |                     |   |   |   |  |              |
| 03       |      |   |            |                     |   |   |   |  |              |
| 04       |      |   |            |                     |   |   |   |  |              |
| 05       |      |   |            |                     |   |   |   |  |              |
| 06       |      |   |            |                     |   |   |   |  |              |
| 07       |      |   |            |                     |   |   |   |  |              |
| 08       |      |   |            |                     |   |   |   |  |              |
| 09       |      |   |            |                     |   |   |   |  |              |
| 10       |      |   |            |                     |   |   |   |  |              |
| 11       |      |   |            |                     |   |   |   |  |              |
| 12       |      |   |            |                     |   |   |   |  |              |
| 13       |      |   |            |                     |   |   |   |  |              |
| 14       |      |   |            |                     |   |   |   |  |              |
| 15       |      |   |            |                     |   |   |   |  |              |
| 16       |      |   |            |                     |   |   |   |  |              |
| 17       |      |   |            |                     |   |   |   |  |              |
| 18       |      |   |            |                     |   |   |   |  |              |
| 19       |      |   |            |                     |   |   |   |  |              |
| 20       |      |   |            |                     |   |   |   |  |              |
| 21       |      |   |            |                     |   |   |   |  |              |
| 22       |      |   |            |                     |   |   |   |  |              |
| 23       |      | <b>CAPPING MOULD – 2.4m LENGTHS x 38mm HIGH – STD</b> |            |                     |   |   |   | 65mm option <input type="radio"/>      |              |

Customer: \_\_\_\_\_  
 Address: \_\_\_\_\_  
 \_\_\_\_\_  
 Contact: \_\_\_\_\_  
 Phone: \_\_\_\_\_  
 Fax: \_\_\_\_\_

Page No.: \_\_\_\_ of \_\_\_\_

Customer Order No.: \_\_\_\_\_  
 Date Ordered: \_\_\_\_\_  
 Date Required: \_\_\_\_\_

**Door Type:** **Arched:**  **Square:**   
 Arch Type: \_\_\_\_\_

**Door Colour:** **Supa Matt:**  **Premier Matt:**  **Breeze:**   
**Satin:**  **Woodgrain:**  **Gloss:**

**Edge Detail:**

**EDGE MOULD AS PER BROCHURE UNLESS OTHERWISE STATED**

6mm Pencil Round

Ogee

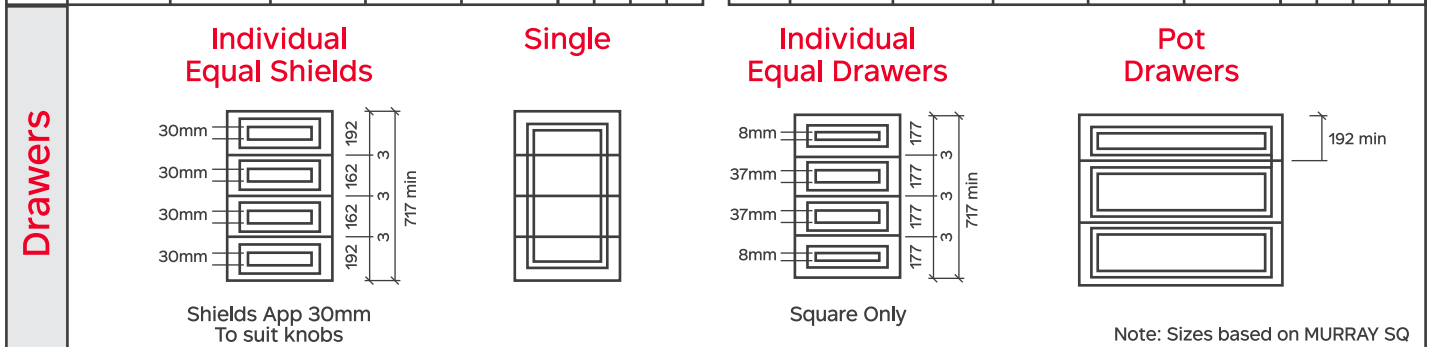
Stepped Pencil Round

2mm Pencil Round

| Qty | O/A Height | O/A Width | Chair Rail Height | Chair Rail Type | Extra Rail Bottom | 'X' Square Edge |   |   |   |
|-----|------------|-----------|-------------------|-----------------|-------------------|-----------------|---|---|---|
|     |            |           |                   |                 |                   | T               | B | L | R |
|     |            |           |                   |                 |                   |                 |   |   |   |
|     |            |           |                   |                 |                   |                 |   |   |   |
|     |            |           |                   |                 |                   |                 |   |   |   |
|     |            |           |                   |                 |                   |                 |   |   |   |

| Qty | O/A Height | O/A Width | No Shields | Extra Rail Bottom | Extra Rail Top | 'X' Square Edge |   |   |   |
|-----|------------|-----------|------------|-------------------|----------------|-----------------|---|---|---|
|     |            |           |            |                   |                | T               | B | L | R |
|     |            |           |            |                   |                |                 |   |   |   |
|     |            |           |            |                   |                |                 |   |   |   |
|     |            |           |            |                   |                |                 |   |   |   |
|     |            |           |            |                   |                |                 |   |   |   |



| Qty | Drawer Type | Height | Width | 'X' Square Edge |   |   |   | Drawer Size |   |   |   |   |  |
|-----|-------------|--------|-------|-----------------|---|---|---|-------------|---|---|---|---|--|
|     |             |        |       | T               | B | L | R | 1           | 2 | 3 | 4 | 5 |  |
|     |             |        |       |                 |   |   |   |             |   |   |   |   |  |
|     |             |        |       |                 |   |   |   |             |   |   |   |   |  |
|     |             |        |       |                 |   |   |   |             |   |   |   |   |  |
|     |             |        |       |                 |   |   |   |             |   |   |   |   |  |