

Titus Tekform
Product Brochure



**Tekform
Kitchen
Innerware
by Titus**

2015

Optimise kitchen space with DolceVita

Tekform Kitchen Innerware by Titus offers the DolceVita complete range of innerware solutions aimed at managing space in the kitchen.

Convenient

Pull-out shelves, rotating carousels, pantries and base cabinet solutions.



Innovative

All the products feature top of the range sliding systems and innovative AssisTech and SlowMotion technologies to provide silent, smooth and controlled closing.



Customisable

Create a configuration that suits the kitchen's organisation needs, while keeping the aesthetics with CristalLine finish.

The DolceVita kitchen innerware© range is also suitable for all types of cabinets and many configurations.

Tekform Kitchen Innerware by Titus

Table of Contents



alto

Pull-out Pantry Column

Pages 4-5



plano

Pull-out Shelving Unit

Pages 6-7



duetto

Corner Cabinet Unit

Page 8



lato

Pull-out Base Cabinet Unit

Page 9



vino

Pull-out Wine Rack

Page 10

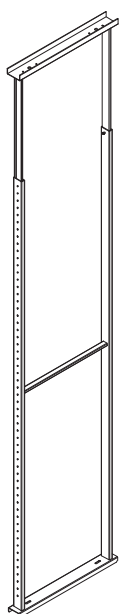
Tekform Kitchen Innerware by Titus

alto Pull-out Column



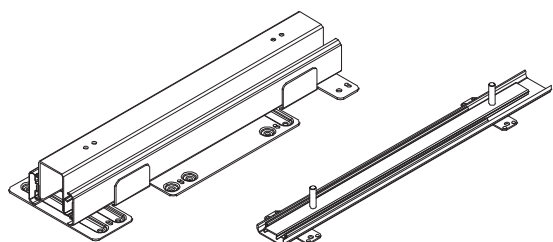
- For high storage units
- Heavy duty full-extension slides
- Integrated SlowMotion damping technology
- Anti-whip technology on top slide
- Can bear up to 100kg
- Easy adjustable platforms with anti-slip mats

alto Pull-out Frame

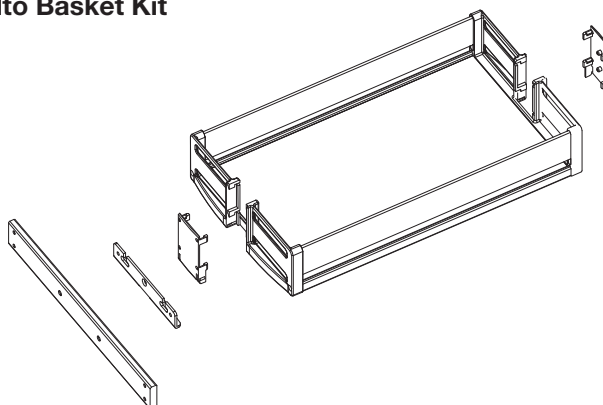


Width (mm)	Set Order Code	Weight Capacity (kg)	Packaging
300	FW55.ALTO.30.00	150	Kit
400	FW55.ALTO.40.00	150	Kit
Kit includes:			
1610 - 2010mm adjustable heavy duty welded pull-out frame with epoxy coating			1 pc
Heavy duty full extension slides with SlowMotion damping and anti-whip technology			2 pcs
CristalLine style baskets			4 pcs
Front brackets			2 pcs

alto Pull-out Slides



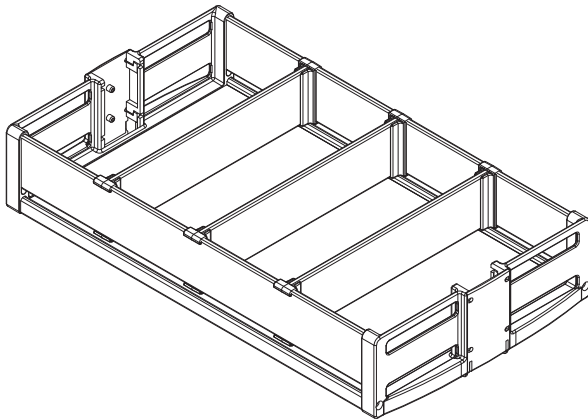
alto Basket Kit



Note: Technical information and installation instructions can be found at www.titustekform.com.au

Tekform Kitchen Innerware by Titus alto Pull-out Pantry Column

alto Basket Dividers



Width (mm)	Set Order Code	Weight Capacity (kg)	Packaging
300	FW55.AE04.02.60	NA	Kit
400	FW55.AE04.03.60	NA	Kit
Kit includes:			
CristalLine style Transverse bars			3 pcs
Connectors			6 pcs

Note: Technical information and installation instructions can be found at www.titustekform.com.au

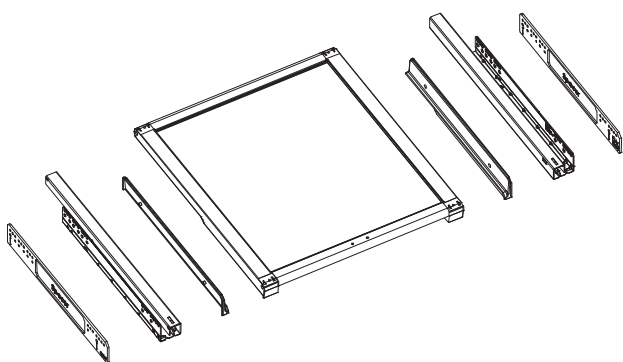
Tekform Kitchen Innerware by Titus

plano Pull-out Shelving Unit

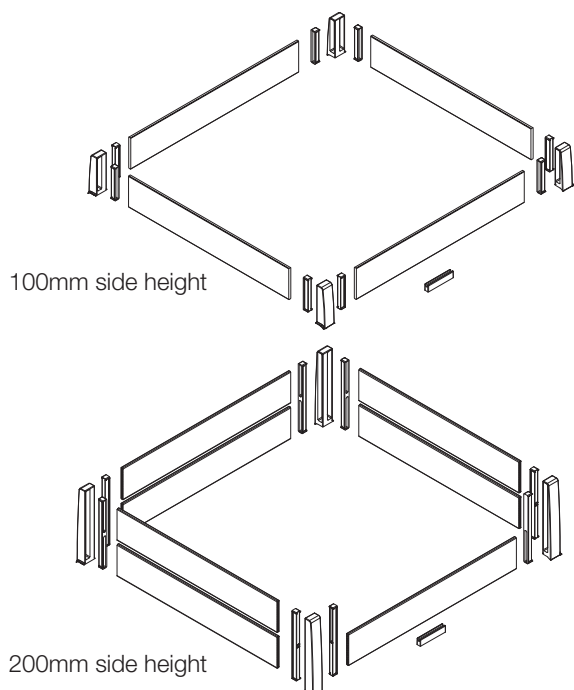


- Full-extension concealed heavy duty ball bearing slides
- Replaces fixed shelves
- Full accessible platform with anti-slip mat
- Customisable railing
- Dual-Synchro technology
- Integrated SlowMotion damping technology
- Slide-cover, anti-scratch bumper and concealed assembly materials provide a clean look.

plano Platform and Slides



plano Side Kits



Width (mm)	Side Height (mm)	Set Order Code	Weight Capacity (kg)	Packaging
450	100	FW55.PLANO.45.10	30	Kit
450	200	FW55.PLANO.45.20	30	Kit
600	100	FW55.PLANO.60.10	30	Kit
600	200	FW55.PLANO.60.20	30	Kit
900	100	FW55.PLANO.90.10	30	Kit
900	200	FW55.PLANO.90.20	30	Kit

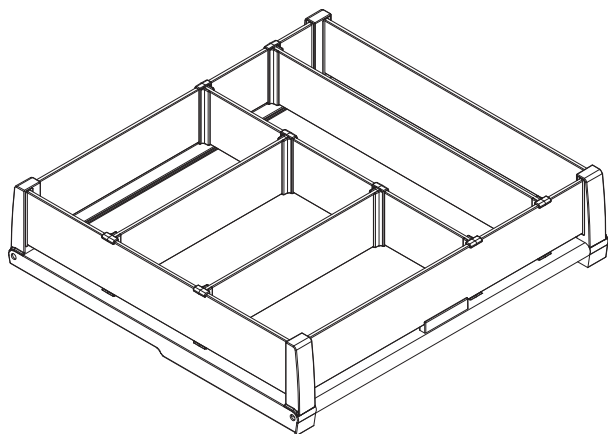
Kit includes:

Platform	1 pc
Pull-out Slides	2 sets
CristalLine style sides	4 pcs
Front brackets	2 pcs

Note: Technical information and installation instructions can be found at www.titustekform.com.au

Tekform Kitchen Innerware by Titus plano Pull-out Shelving Unit

plano Divider Kit



Width (mm)	Set Order Code	Weight Capacity (kg)	Packaging
300	FW55.AE04.02.60	NA	Kit
400	FW55.AE04.03.60	NA	Kit
Kit includes:			
	CristalLine style Longitudinal bars		2 pcs
	CristalLine style Transverse bars		2 pcs
	Connectors		8 pcs

Note: Technical information and installation instructions can be found at www.titustekform.com.au

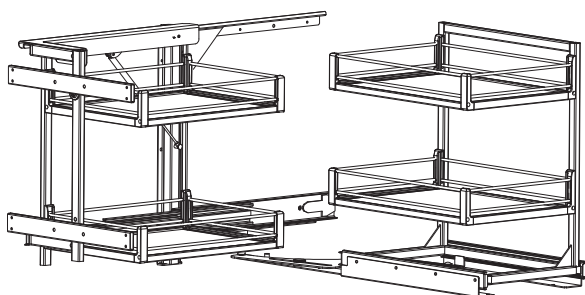
Tekform Kitchen Innerware by Titus

duetto Corner Cabinet Unit



- Perfect for rectangular corner cabinets with 85% space usage
- Two carriages with two platforms each
- Synchronised movement with fully extractable first carriage and accessible second carriage
- Heavy duty slides
- Integrated SlowMotion damping technology
- Easily adjustable platforms with anti-slip mats
- Keeps contents securely in place

duetto Blind Corner Unit



Opening Direction	Min Dimensions (H x W x D) mm	Weight Capacity (kg)	Set Order Code	Description
Left hand	660 x 860 x 490	30 per basket	FW55.C3EST8.45L	Pull-out corner unit with CristalLine Design
Right hand	660 x 860 x 490	30 per basket	FW55.C3EST8.45R	Pull-out corner unit with CristalLine Design

Note: Technical information and installation instructions can be found at www.titustekform.com.au

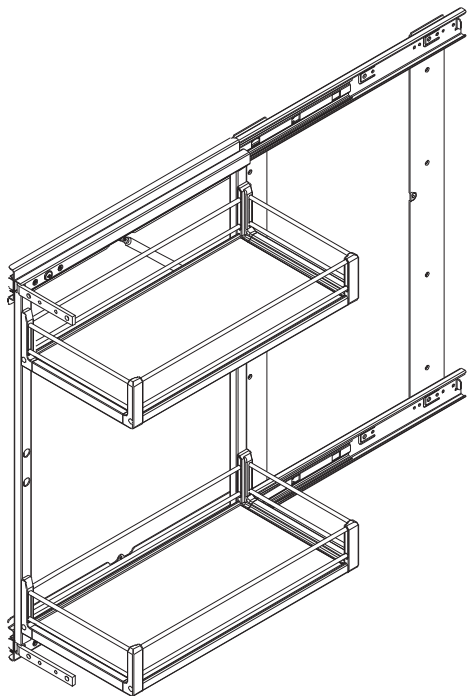
Tekform Kitchen Innerware by Titus

Iato Base Cabinet Unit



- Made for small cabinet spaces
- Allows full access to unused space
- Includes two height adjustable shelves
- Integrated SlowMotion damping technology

Iato Pull-out Base



Width (mm)	Min Dimensions (H x D) mm	Weight Capacity (kg)	Set Order Code	Description
300	684 x 460	30 per basket	FW55.L2E0.T8.30	Pull-out base unit with 2 shelves and integrated SlowMotion damping technology
400	684 x 460	30 per basket	FW55.L2E0.T8.40	Pull-out base unit with 2 shelves and integrated SlowMotion damping technology

Note: Technical information and installation instructions can be found at www.titustekform.com.au



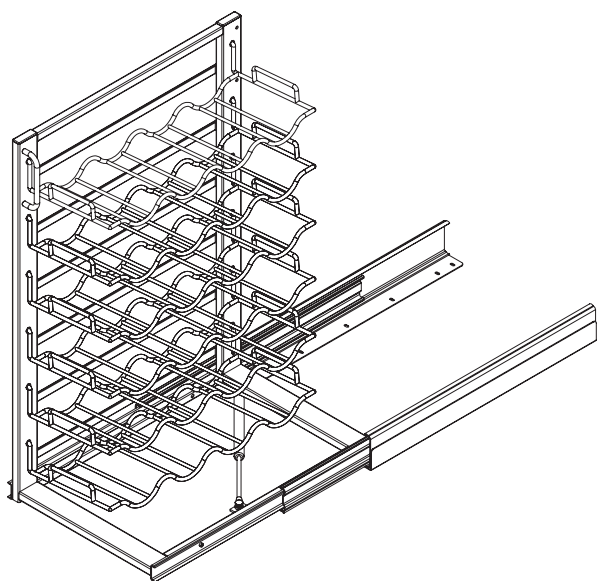
Tekform Kitchen Innerware by Titus

vino Pull-Out Wine Rack



- Ideal solution for storing wine in the kitchen
- Ball bearing slides are fixed to the cabinet and connected to the frame
- Wine rack can be pulled fully out of the cabinet
- Integrated SlowMotion damping technology

vino – Pull-out Wine Rack



Opening Direction	Min Dimensions (H x W x D) mm	Weight Capacity (kg)	Set Order Code	Description
Left hand	684 x 400 x 490	45	FW55.W2G0T8.40L	For base cabinets with a left hand opening Stores up to 24 bottles (4 bottles per shelf)
Right hand	684 x 400 x 490	45	FW55.W2G0T8.40R	For base cabinets with a right hand opening Stores up to 24 bottles (4 bottles per shelf)

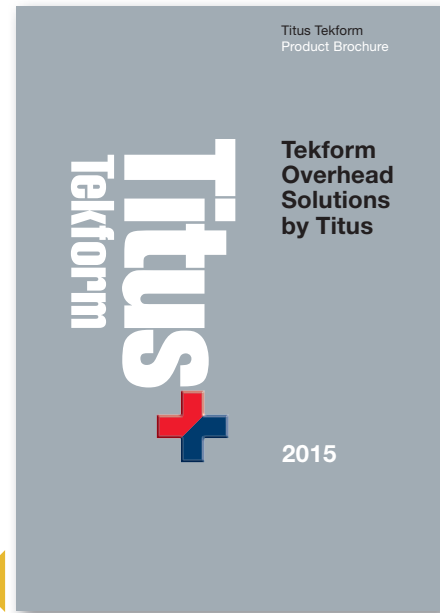
Note: Technical information and installation instructions can be found at www.titustekform.com.au

Other kitchen accessories in the Titus Tekform Range

Available from the Titus Tekform range to complete the kitchen fit-out.



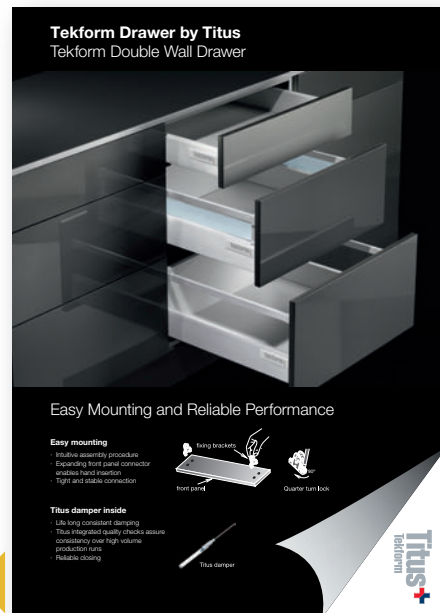
Put the finishing touches on your furniture and cabinetry with Tekform Handles by Titus. Titus Tekform introduces a complete range of furniture handles to the Australian market. Request your copy of the brochure today.



The Tekform Overhead Solutions by Titus offer customers a range of flap stay and lift up opening solutions for better usage of space in the kitchen. Request your copy of the brochure today.



The Tekform Sinkware by Titus range offers the market both hand fabricated and seamless pressed sinks. Mercer, the manufacturer of Tekform Sinks by Titus, delivers superior quality sinkware from their New Zealand plant. Request your copy of the brochure today.



The Tekform Drawer offers easy mounting and reliable performance. Request your copy of the flyer today and speak to your local area representative to find out more about the Tekform Double Wall Drawer.

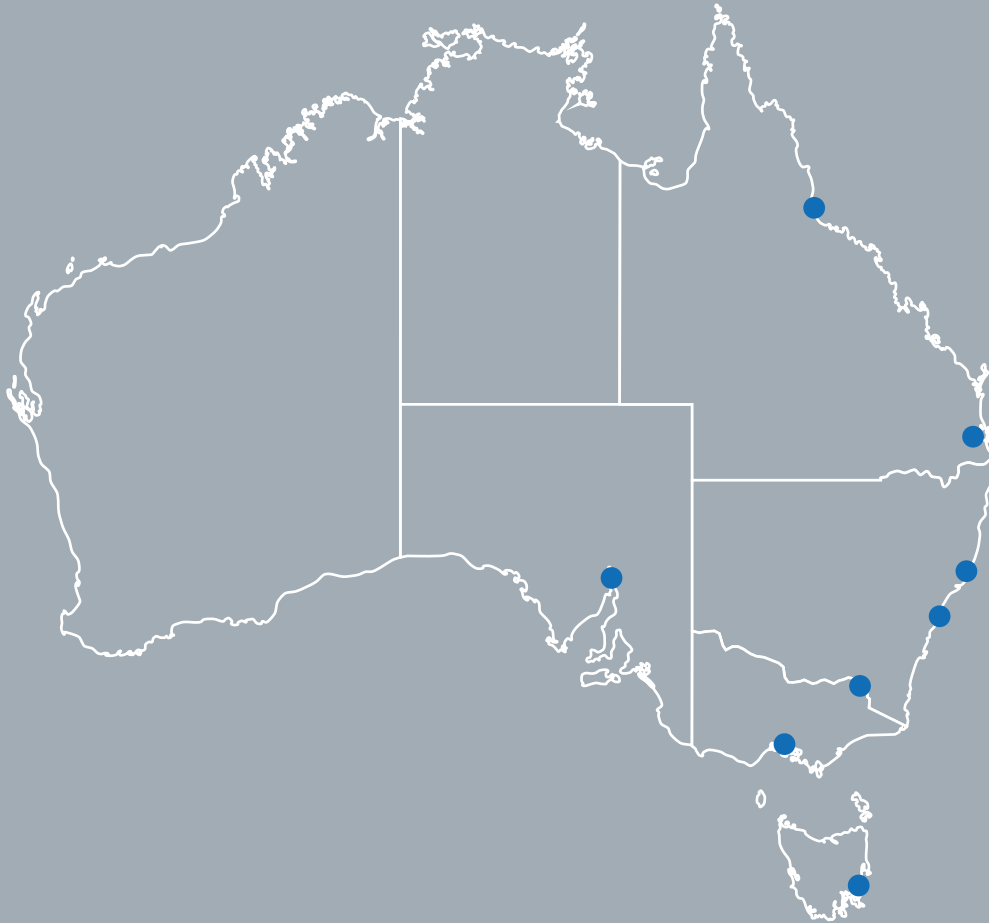
To get in touch with your local Titus Tekform sales representative log onto www.titustekform.com.au or email us at info@titustekform.com.au

To find out more about the Titus Group range of products: www.titusplus.com

STAY UPDATED!

Stay in touch by signing up for our monthly product update. Email us at info@titustekform.com.au





Australia

New South Wales

Titus Tekform Pty Ltd
Unit 1&2, 41-43 Whyalla Place
Prestons, NSW, 2170
Australia
T: +61 2 9826 0007
Fax: +61 2 9826 0074
ABN: 67 168 439 647

Titus Tekform Pty Ltd
Unit 3, 100 Munibung Road
Cardiff, NSW, 2285
Australia
T: +61 2 4954 4011
Fax: +61 2 4954 4233

Queensland

Titus Tekform Pty Ltd
20 Civil Road
Garbutt, QLD, 4814
Australia
T: +61 7 4779 1366
Fax: +61 7 4779 1316
PO Box 7922
Garbutt, QLD, 4815

Titus Tekform Pty Ltd
1/32 Northlink Place
Virginia, QLD, 4014
Australia
T: +61 7 3266 3999
Fax: +61 7 3266 5234
PO Box 266
Northgate, QLD, 4013

South Australia

Titus Tekform Pty Ltd
PO Box 357
Bayswater, VIC, 3153
Australia
T: +61 8 8447 3700
Fax: +61 8 8447 3183

Tasmania

Titus Tekform Pty Ltd
88 Hopkins Street
Moonah, TAS, 7009
T: +61 3 6273 1199
Fax: +61 3 6273 0050
Australia
PO Box 658
Moonah, TAS, 7009

Victoria

Titus Tekform Pty Ltd
2/20 Mint Street
Wodonga, VIC, 3690
Australia
T: +61 2 6056 3188
Fax: +61 2 6056 3190

Titus Tekform Pty Ltd
8/59 Jersey Road
Bayswater, VIC, 3153
Australia
T: +61 3 9737 5566
Fax: +61 3 9729 8780
PO Box 357
Bayswater, VIC, 3153

To get in touch with your local Titus Tekform sales representative log onto www.titustekform.com.au or email us at info@titustekform.com.au

To find out more about the Titus Group range of products: www.titusplus.com