



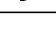
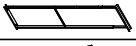


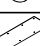



MINUTERIA FITTINGS			
A		x2	M6 x 16 mm VITE METRICA M6 x 16 mm METRIC SCREW
B		x2	M6 x 8 mm VITE METRICA M6 x 8 mm METRIC SCREW
C		x2	M6 x 21 mm VITE METRICA M6 x 21 mm METRIC SCREW
D		x12	ø 4.5 X 20 mm VITE AUTOFILETTANTE ø 4.5 X 20 mm SELF-TAPPING SCREW
E		x4	M4 x 5 mm VITE METRICA M4 x 5 mm METRIC SCREW
COMPONENTI COMPONENTS			
F		x1	TELAIO METAL FRAME
G		x1	GUIDA INFERIORE BOTTOM RUNNER
H		x1	GUIDA SUPERIORE TOP RUNNER
I		x2	BOCCOLA SILENCER
L		x1	MASCHERA DI FORATURA DRILLING TEMPLATE

alto

1/2

DolceVita

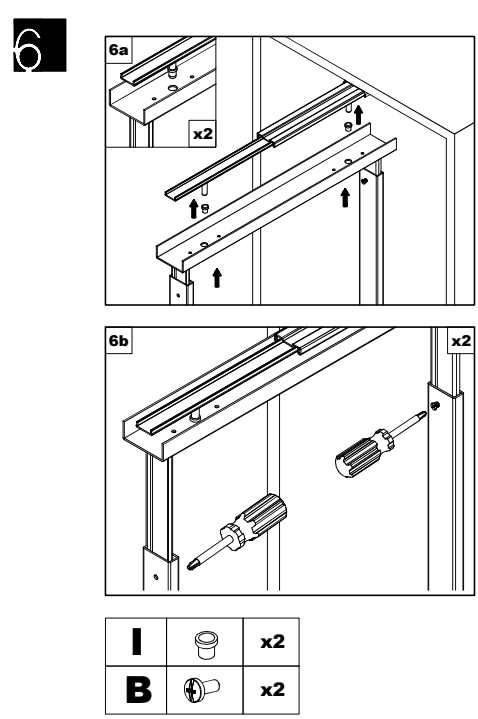
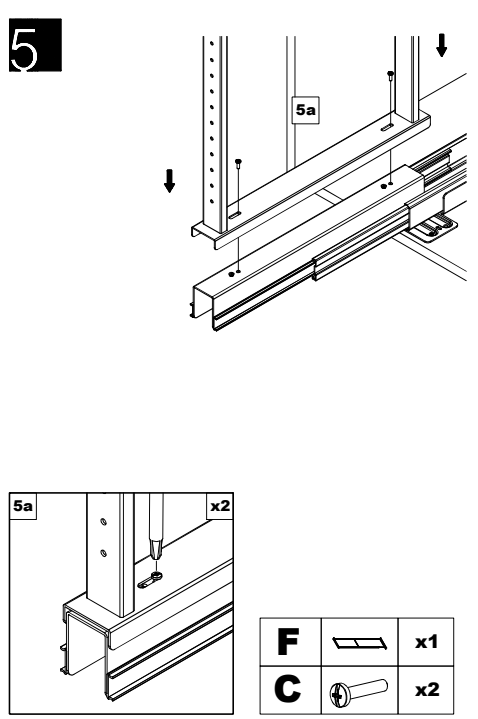
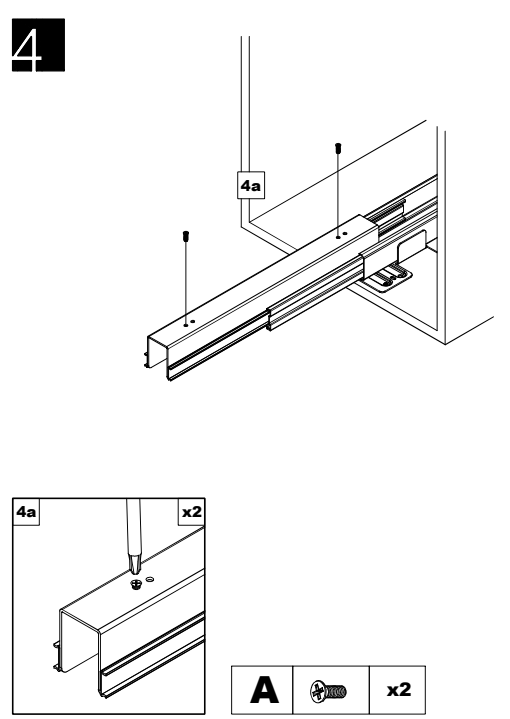
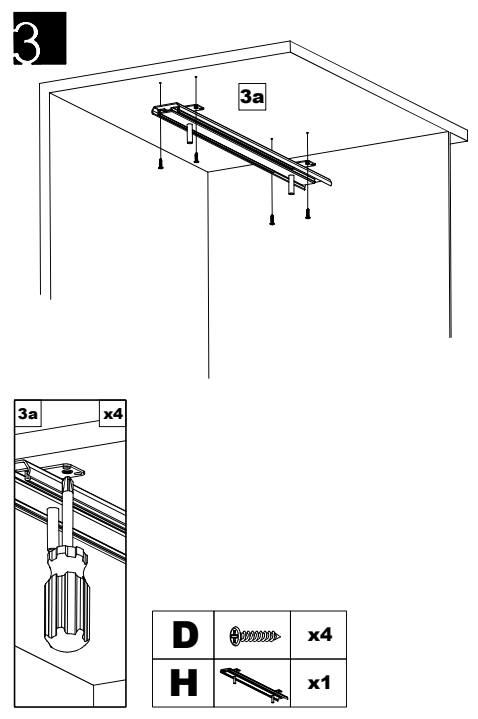
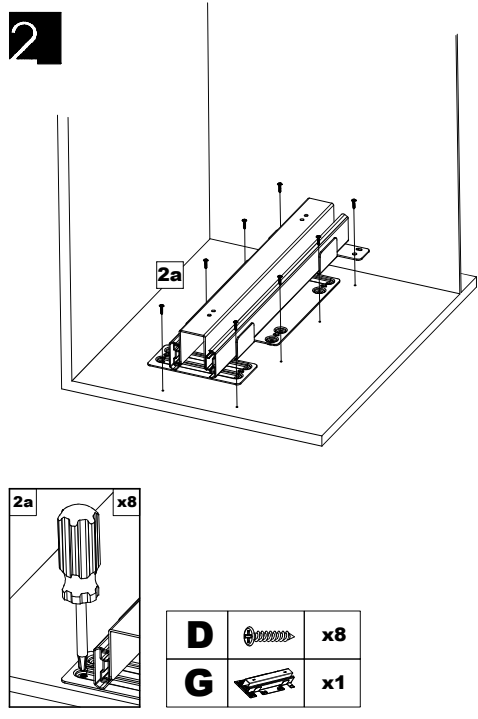
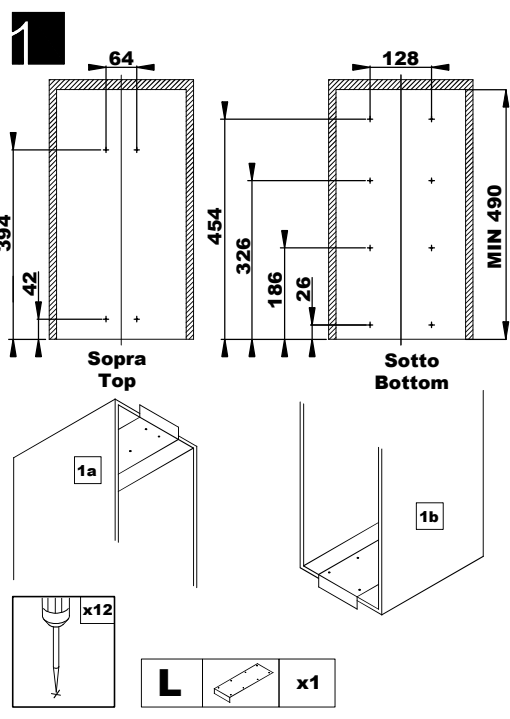
BETTER SPACE BETTER LIVING

Titus

Tekform



www.titustekform.com.au
info@titustekform.com.au

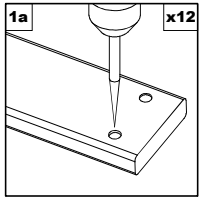
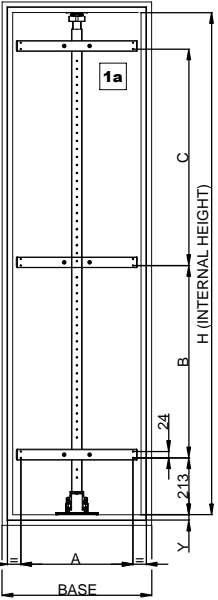


MINUTERIA FITTINGS			
M		x3	M6 x 12 mm VITE METRICA M6 x 12 mm METRIC SCREW
N		x6	M5 x 13.5 mm VITE METRICA M5 x 13.5 mm METRIC SCREW
O		x6	M6 x 14 mm VITE METRICA M6 x 14 mm METRIC SCREW
P		x12	ø 4 X 20 mm VITE AUTOFILETTANTE ø 4 X 20 mm SELF-TAPPING SCREW
COMPONENTI COMPONENTS			
Q		x2 or x3	SQUADRETTA FISSAGGIO ANTA DOOR MOUNTING BRACKET
R		x2 or x3	SQUADRETTA REGOLAZIONE ANTA DOOR ADJUSTMENT BRACKET
S		x8 or x10 or x12	ATTACCO CESTO BASKET SUPPORT BRACKET
T		x4 or x5 or x6	CESTELLERIA BASKETS

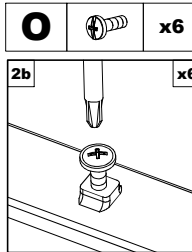
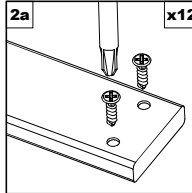
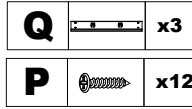
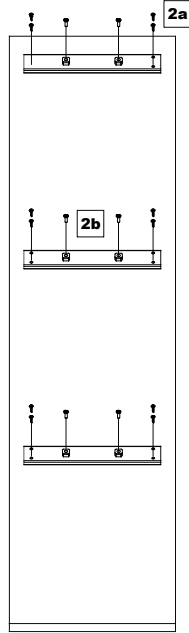
1 DOOR DRILLING POSITION

CODE	'H' INTERNAL HEIGHT CABINET	B	C
166	980-1280	630	
167	1280-1580	420	510
168	1580-1880	570	660
169	1880-2310	720	810

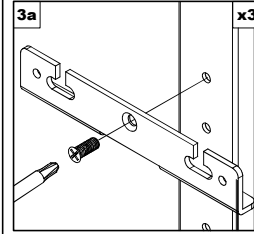
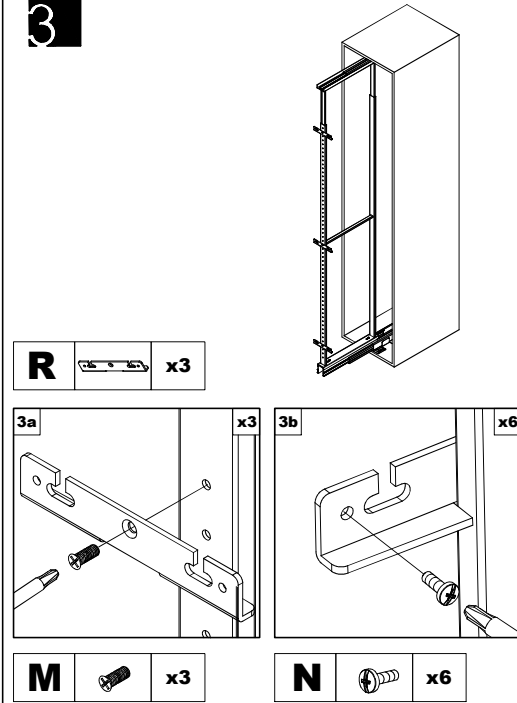
Base	A
300	220
400	320
450	370
500	420
600	520



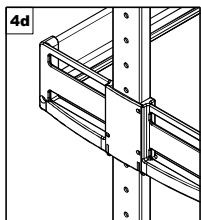
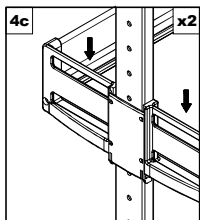
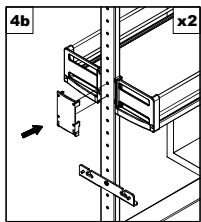
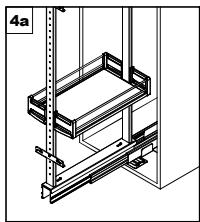
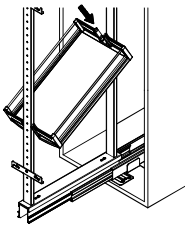
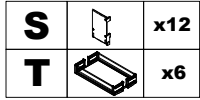
2



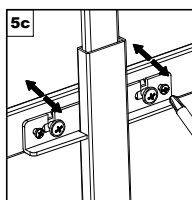
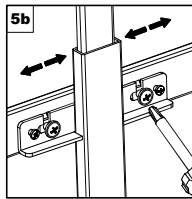
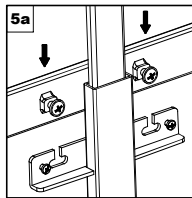
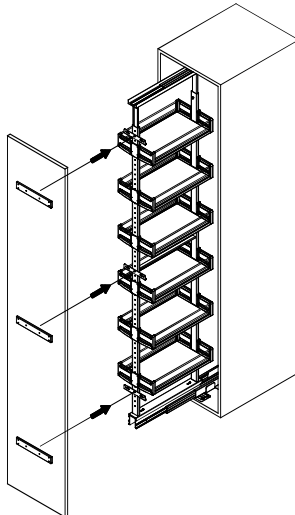
3



4



5



6

