



Titus
Tekform

Stefano Orlati Handleless Solutions CAPRI Profile Range

Stefano Orlati 

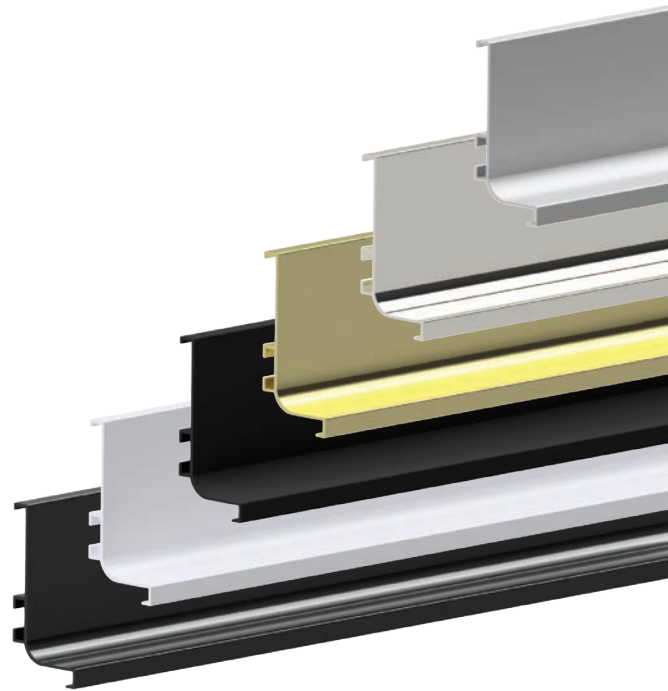
Design your kitchen completely handle free



The CAPRI Profiles offer a practical way to design a European-style handleless kitchen, with solutions for base, wall and tower cabinets.

All CAPRI profiles are manufactured from aluminium with high quality anodized finishes and are 100% recyclable. Choose from J, C, C-LED, Y, R and N shaped profiles in the following finishes: Foggy Silver, Titanium Grey, Chrome, Matt Black, Matt White and Gold. Create extra ambiance in your space using LED strip lights, built into the profile with a diffuser strip.

- European style handleless kitchen
- 6 profile options in 6 different finishes
- Solutions for base, wall and tower cabinets
- Quick and easy cleaning



Foggy Silver (FS)



Titanium Grey (TG)



Chrome (C)



Matt Black (MB)



Matt White (MW)



Gold (G)

CAPRI Handleless Profiles

Full Door and Top Drawer Solutions

J-Profile



Drawer Cabinet Solutions

C-Profile



C-LED-Profile



Wall Cabinet Solutions

R-Profile



Shelf Protection

N-Profiles



Tower Cabinets / Vertical Installation

Y-Profile



Six styles and finishes to suit your kitchen

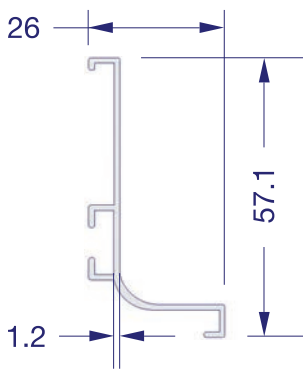


CAPRI-J Profiles



- Create handleless openings for doors and top drawers
- Horizontal mounting
- Available in six on-trend finishes

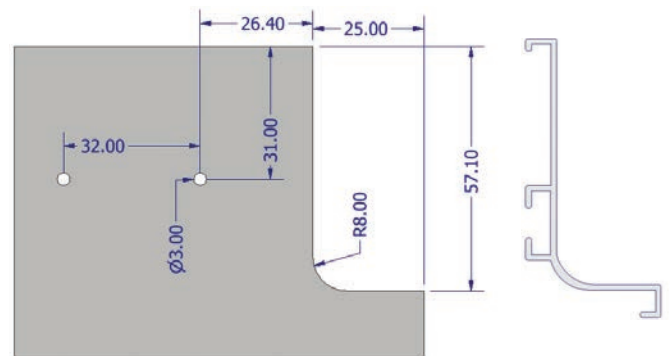
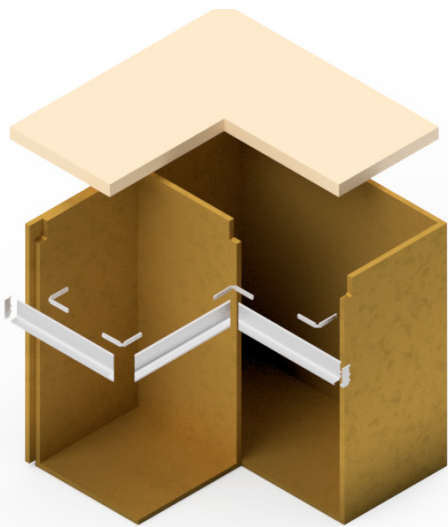
Technical Details



Length	Height	Depth	Finish	Item Number
3600	57.1	26	FS	608.8U10.360.001
3600	57.1	26	C	608.8U10.360.007
3600	57.1	26	MB	608.8U10.360.010
3600	57.1	26	MW	608.8U10.360.013
3600	57.1	26	TG	608.8U10.360.015
3600	57.1	26	G	608.8U10.360.017

Order end caps and bracket separately
 → See pages 13 & 14

Installation



The quoted dimension considers that the CAPRI profile will have a 1mm overhang. In the case that the CAPRI profile must be flush with the cabinet sides, the quoted dimensions must be increased by 1mm.

Quick and easy cleaning and maintenance

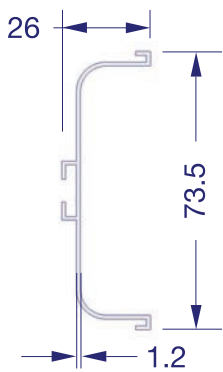


CAPRI-C Profiles



- Create handleless openings for drawers
- Horizontal mounting
- Available in six on-trend finishes

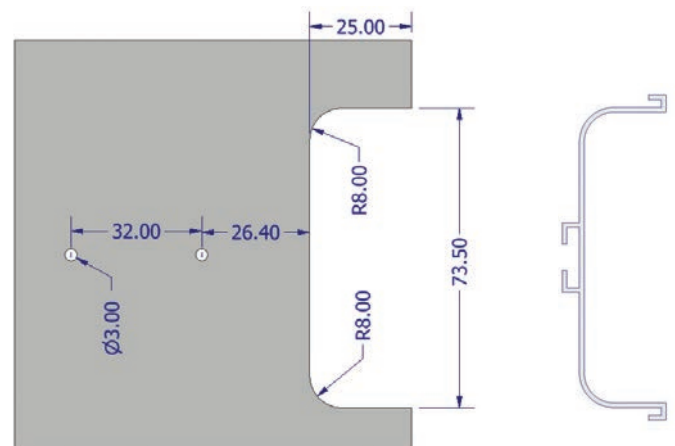
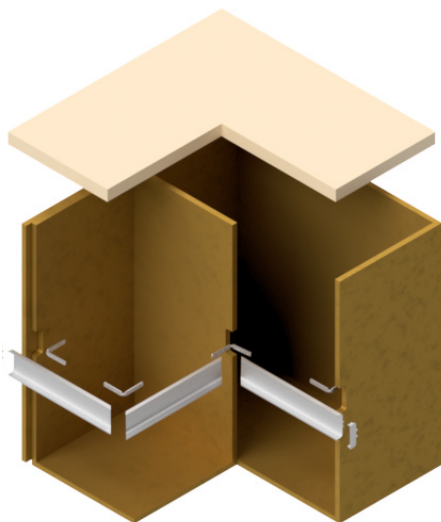
Technical Details



Length	Height	Depth	Finish	Item Number
3600	73.5	26	FS	608.8U08.360.001
3600	73.5	26	C	608.8U08.360.007
3600	73.5	26	MB	608.8U08.360.010
3600	73.5	26	MW	608.8U08.360.011
3600	73.5	26	TG	608.8U08.360.013
3600	73.5	26	G	608.8U08.360.015

Order end caps and bracket separately
 ↳ See pages 13 & 14

Installation



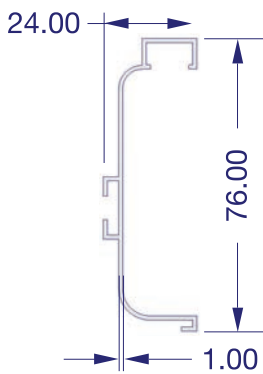
The quoted dimension considers that the CAPRI profile will have a 1mm overhang. In the case that the CAPRI profile must be flush with the cabinet sides, the quoted dimensions must be increased by 1mm.

CAPRI-C LED Profiles



- Integrated LED profile and strip
- Create handleless drawer openings with integrated strip lighting.
- Horizontal mounting
- Available in six on-trend finishes

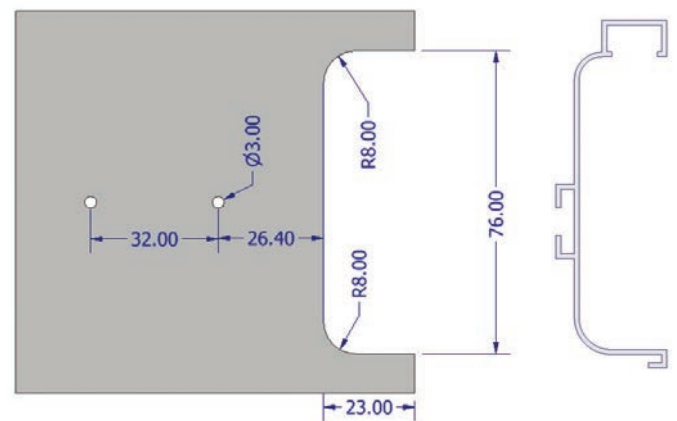
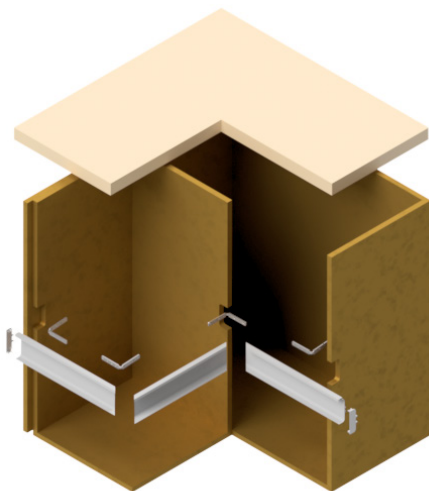
Technical Details



Length	Height	Depth	Finish	Item Number
3600	76	24	FS	608.8U09.360.001
3600	76	24	C	608.8U09.360.007
3600	76	24	MB	608.8U09.360.010
3600	76	24	MW	608.8U09.360.011
3600	76	24	TG	608.8U09.360.013
3600	76	24	G	608.8U09.360.015

Order end caps and bracket separately
 → See pages 13 & 14

Installation



The quoted dimension considers that the CAPRI profile will have a 1mm overhang. In the case that the CAPRI profile must be flush with the cabinet sides, the quoted dimensions must be increased by 1mm.

**Create ambiance with
integrated strip lighting**

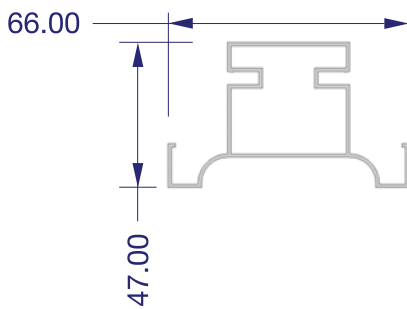


CAPRI-Y Profiles



- Create handleless openings for tower cabinets
- Vertical mounting between cabinets
- Available in six on-trend finishes

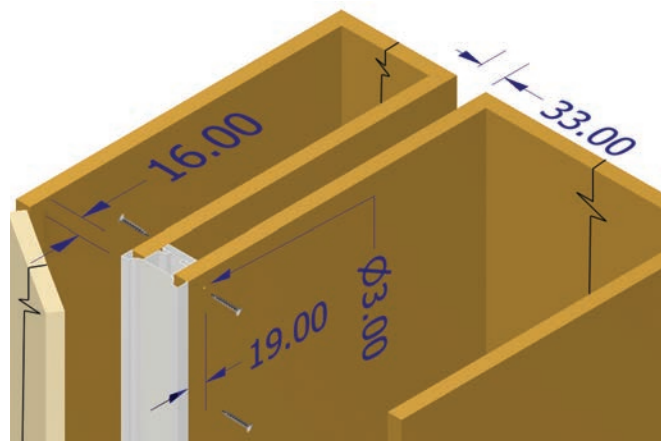
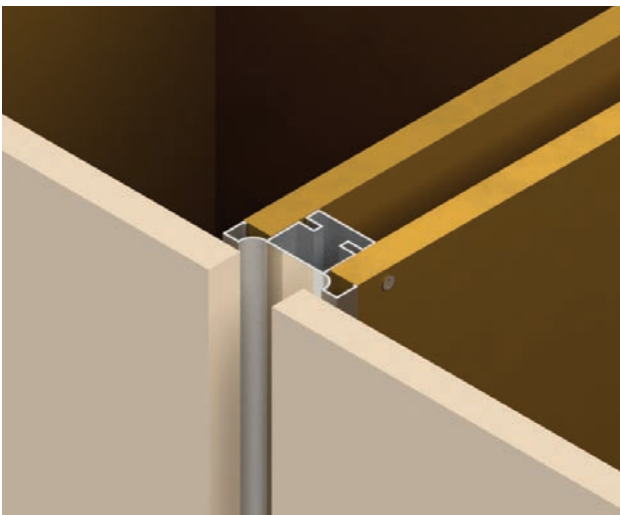
Technical Details



Length	Height	Depth	Finish	Item Number
2400	66	47	FS	608.8U16.360.001
2400	66	47	C	608.8U16.360.007
2400	66	47	MB	608.8U16.360.010
2400	66	47	MW	608.8U16.360.011
2400	66	47	TG	608.8U16.360.013
2400	66	47	G	608.8U16.360.015

Order bracket separately
 → See page 14

Installation





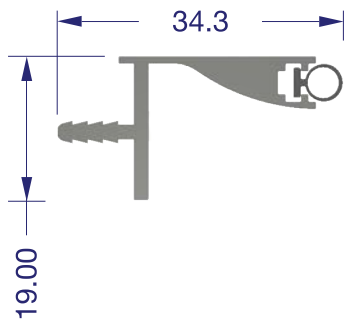
**Solutions for base, wall
and tower cabinets**

CAPRI-R Profiles



- Create handleless openings for wall cabinets
- Horizontal mounting
- Available in six on-trend finishes

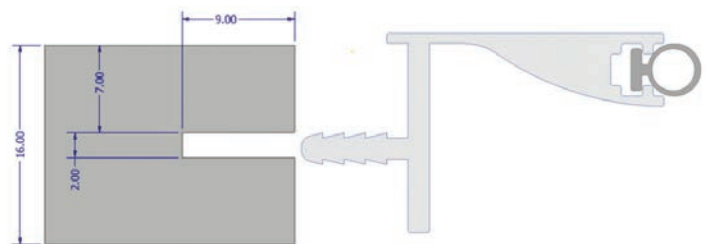
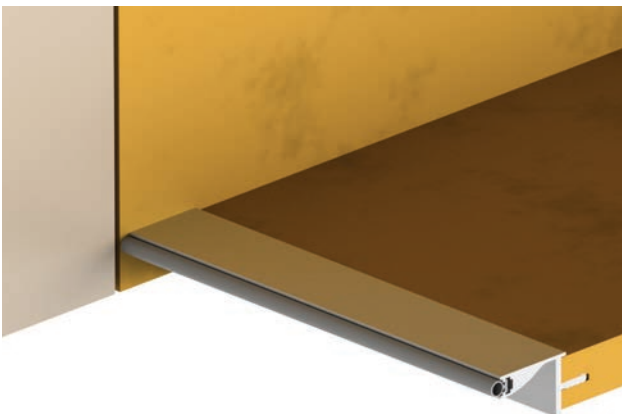
Technical Details



Length	Height	Depth	Finish	Item Number
3600	19	34.3	FS	608.8U14.360.001
3600	19	34.3	C	608.8U14.360.007
3600	19	34.3	MB	608.8U14.360.010
3600	19	34.3	MW	608.8U14.360.011
3600	19	34.3	TG	608.8U14.360.013
3600	19	34.3	G	608.8U14.360.015

Order bracket separately
 ↳ See page 14

Installation



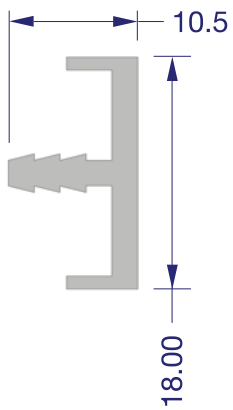
* Note: Can be used on 16mm and 18mm board.
 Dimensions are still 9mm from top to top of cutout.

CAPRI-N Profiles



- Shelf edge protection
- Horizontal mounting
- Available in six on-trend finishes

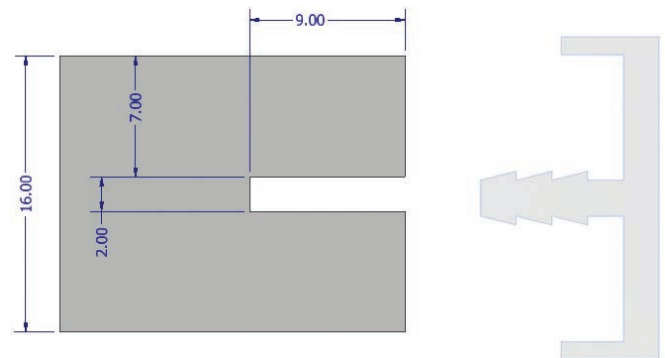
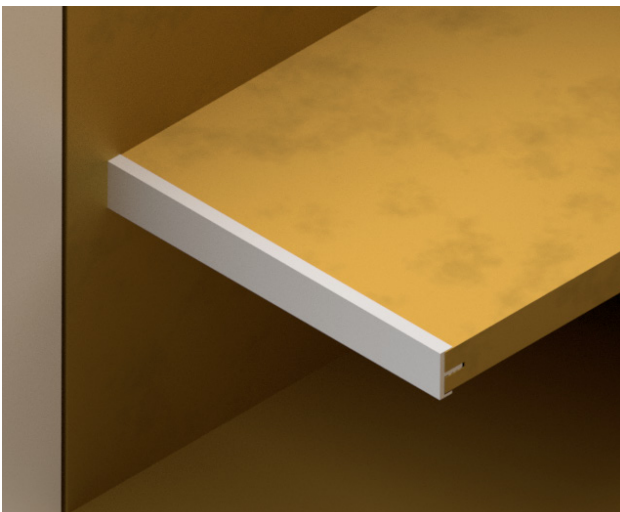
Technical Details



Length	Height	Depth	Finish	Item Number
3600	18	10.5	FS	608.8U12.360.001
3600	18	10.5	C	608.8U12.360.007
3600	18	10.5	MB	608.8U12.360.010
3600	18	10.5	MW	608.8U12.360.011
3600	18	10.5	TG	608.8U12.360.013
3600	18	10.5	G	608.8U12.360.015

Order bracket separately
 → See page 14

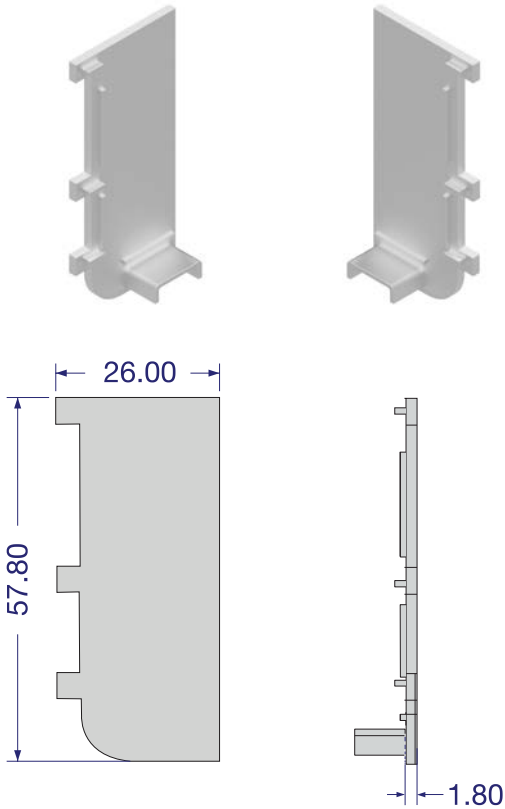
Installation



* Note: N Profile only suits 16mm board.

CAPRI Profile End Caps

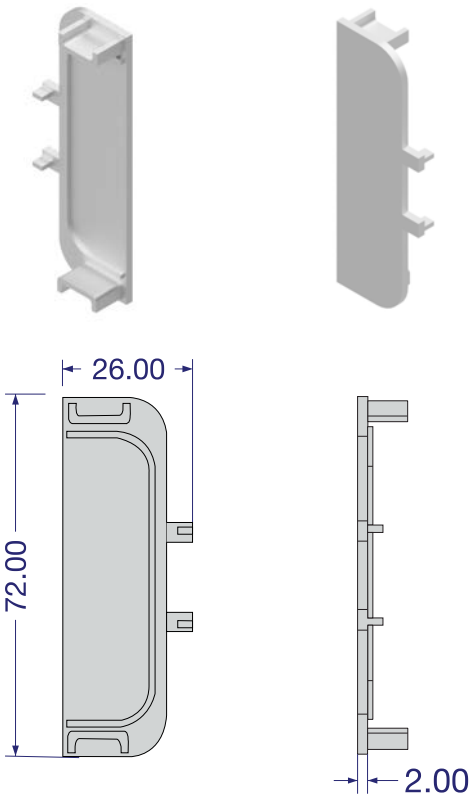
CAPRI-J End Caps



- Right and Left handed end caps
- Use with CAPRI-J profiles

Handling	Finish	Item Number
Left	FS	608.8U17.056.001
Right	FS	608.8U17.057.001
Left	C	608.8U17.056.007
Right	C	608.8U17.057.007
Left	MB	608.8U17.056.010
Right	MB	608.8U17.057.010
Left	MW	608.8U17.056.011
Right	MW	608.8U17.057.011
Left	TG	608.8U17.056.013
Right	TG	608.8U17.057.013
Left	G	608.8U17.056.015
Right	G	608.8U17.057.015

CAPRI-C End Caps



- Universal end caps, un-handed
- Use with CAPRI-C and CAPRI-C LED profiles

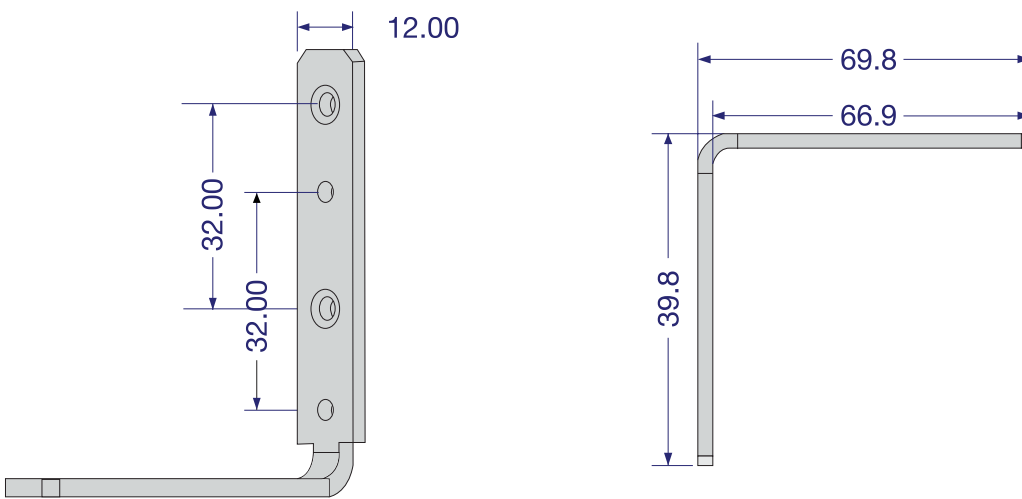
Handling	Finish	Item Number
Universal	FS	608.8U17.073.001
Universal	C	608.8U17.073.007
Universal	MB	608.8U17.073.010
Universal	MW	608.8U17.073.011
Universal	TG	608.8U17.073.013
Universal	G	608.8U17.073.015

CAPRI Profile Mounting Bracket



- Universal mounting bracket for CAPRI profile range
- Simple 3 step mounting process

Technical Details



Mounting Details



Pre-drill carcass side

Attach bracket to carcass side using 2 x 3.5 x 13mm chipboard screws.

Attach bracket to the profile using screws and washers provided and tighten.



Titus Tekform Australia

www.titustekform.com.au

info@titustekform.com.au

Stefano Orlati New Zealand

www.stefano-orlati.com

stefano-orlati@titusplus.com

Connect with us

 [LinkedIn.com/company/titustekform](https://www.linkedin.com/company/titustekform)

 [Instagram.com/titustekform](https://www.instagram.com/titustekform)

 [Pinterest.com/titustekform](https://www.pinterest.com/titustekform)

 ["Titus Tekform"](#)